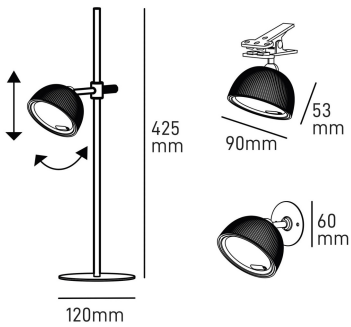


# MAGNETIKA



POWER W	KELVIN	LUMEN lm	MEASURES mm	VARIANT	CODE	EAN
3	3000	200	1	WHITE	MAGNETIKAB	8031453030315
3	3000	200	1	BLACK	MAGNETIKAN	8031453030322
3	3000	200	1	SILVER	MAGNETIKAS	8031453030339



DIMENSIONS	A	B	C
1	425	120	

- IP54 RECHARGEABLE BATTERY TABLE LAMP
- MODERN AND MINIMALIST DESIGN SUITABLE FOR ANY ENVIRONMENT
- METAL STRUCTURE, POLYCARBONATE BODY AND DIFFUSER
- SUPPLIED WITH 1M USB-C POWER CABLE (POWER ADAPTER NOT INCLUDED)
- ON, OFF AND DIMMING BY TOUCHING THE DIFFUSER
- LITHIUM BATTERY
- CHARGING TIME 4-6 HOURS
- OPERATING TIME FROM 6 TO 20 HOURS (DEPENDING ON DIMMING AND ENVIRONMENTAL CONDITIONS)
- SUPPLIED WITH 2 INSTALLATION ACCESSORIES: CLIP AND FIXING PLATE